

NON-FOLDING BACK-TO-BACK LOUNGE SEATING ASSEMBLY INSTRUCTIONS



MODELS:

101193/101199 Back Set with 8" Bases or 101196/101199 Back Set with 10" Bases

Congratulations on your purchase of one of the many fine SIGNATURE SEATING products available through your local dealerships. We have worked hard to simplify installation of this lounge seating.

FOLLOW THESE SIMPLE STEPS:

STEP ONE

Open the box and take out each component to familiarize yourself with the parts, and ensure that all parts listed below are included.

PARTS LIST

16 - #8 x 3/4" Phillips Pan Head Screws

8 - 1/4 - 20 x 1 3/4" Truss Head Phillips Machine Screws

4 - Pre-hinged Seat Cushions

2 - Backrest Cushions

2 - Bases

STEP TWO

It is extremely important that you follow the assembly instructions exactly as written. Any deviation from this sequence will make the assembly extremely difficult. (SPECIAL NOTE: During assembly, always hand-start each screw turning it in at least 4 complete turns before using any kind of hand tool for tightening. This will ensure you are not cross-threading the screw. Also, do not tighten any screws until all parts have been assembled.)

STEP THREE

Take the two pre-hinged seats and attach one seat to each end of the base using the #8 X 3/4" screws. The hinge should be centered on the base to ensure a proper fit.



STEP FOUR

Take one of the backs (both are identical) and set it up on one of the bases with the cushions attached. You will find pre-cut holes in the sides of the bases that align with T-nuts pressed into the bottom of the backrests. Insert the 1/4 - 20 X 1 3/4" truss head screws carefully.

STEP FIVE

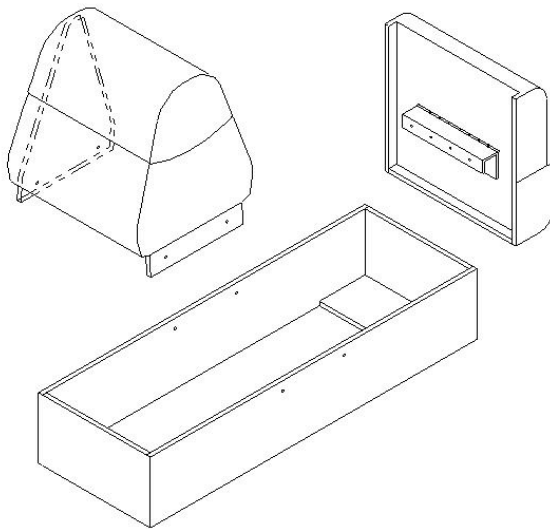
Repeat the process on the other set. The whole process should take only minutes and the seats will be ready for installation into the boat.

STEP SIX

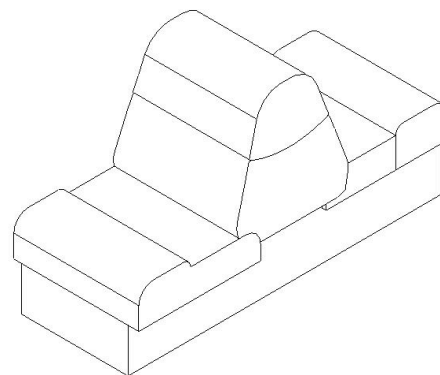
Please note the care in cleaning tags attached to the seat cushions. Following these tips will greatly prolong the life of your new seats.

FOR FURTHER ASSISTANCE, CALL US AT 260-749-1301 AND ASK FOR TECHNICAL HELP.

AI101193-6-9



UNASSEMBLED PARTS



ASSEMBLED SEATS