

## PLATINUM SERIES



### One complete unit consists of:

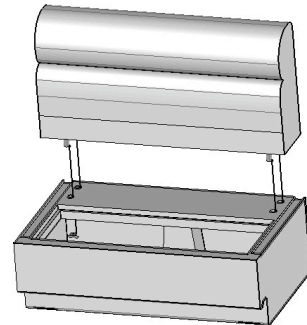
- 1x seat cushion
- 1x base
- 1x backrest

### Tools needed:

- Pliers
- Phillips screwdriver

### STEP ONE

Attach backrest using studs, washers and wing nuts. Attach studs in backrest first. Then place backrest on rear top of plastic base; attach washer then wing nut, secure with pliers.



### STEP TWO

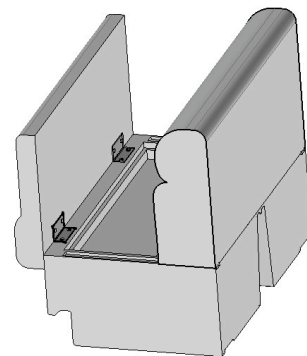
Attach the seat with hinges and screws provided. Attach hinges to plastic using four 1/4-20 x 1/2" screws. Then attach seat to hinge using four 1/4-20 x 3/4" screws. Secure all screws using Phillips screwdriver.

*(Do not tighten any screws until all are started by hand.)*

### STEP THREE

Attach the assembled unit in position securely using screws or bolts, depending on substrate that you are attaching to.

*(Fasteners not provided)*



TOP LEFT SIDE  
Outside of Base

