

101228\*\* & 101229\*\*

## Platinum Lounger End

### Step one: Unpackage all items

#### Bag Kit contains the following:

- 1- Rotomold Chaise Frame
- 1- Chaise Pillow
- 1- Lower Bolster Pillow
- 10- ¼ fender washer
- 6- ¼-20 wing nuts
- 4- ¼-20x1" Philips head bolts
- 3-1/4-20x1/2"
- 2-1/4-20x1 1/4" Stud
- Fig.1

*Handy tip: Always hand start all bolts of an assembly prior to tightening!*

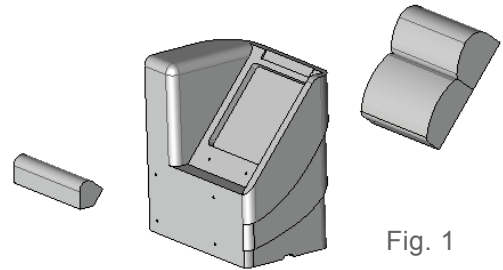
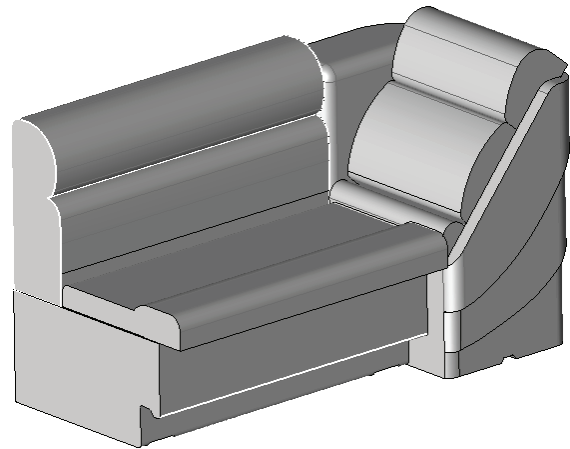


Fig. 1

**Step two: Attach bottom pad** to base using two ¼-20x 1 1/4" studs and two ¼ fender washers. (Note figure 2 picture to obtain correct orientation of pad). Fig 2

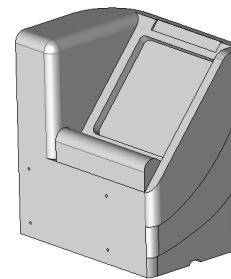


Fig. 2

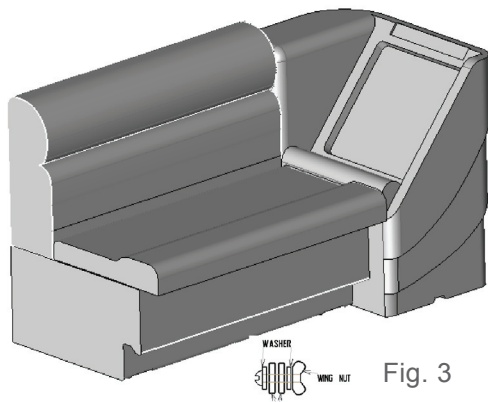


Fig. 3

### **Step Three: Attach lounger end to base** (optional)

Align rear surface of lounger end with rear surface of the bench and secure. Using predrilled holes in the lounger as a template, drill ¼" holes into the side of the bench. Bolt together with 1" bolts using a washer on each side. Then using wing nuts to secure both pieces. Fig 3

**Step four: Attach Lid** using three 1/4x20x1/2" bolts. Adjust hinge up and down so it opens and closes smoothly.

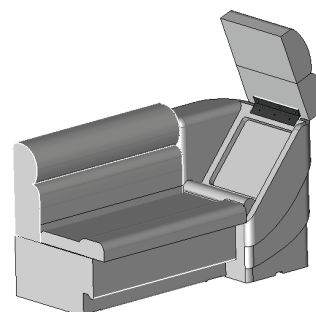


Fig. 4