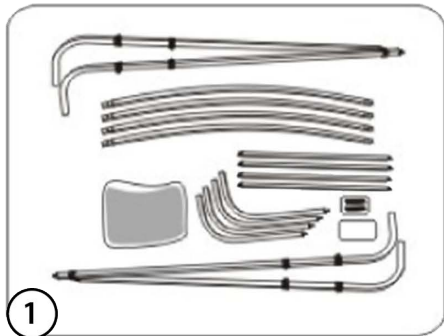


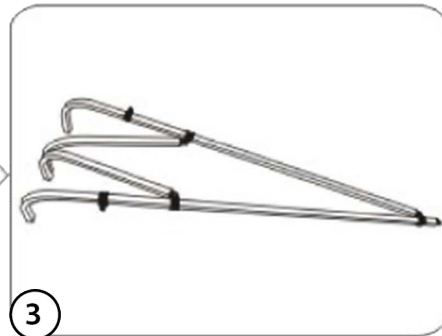
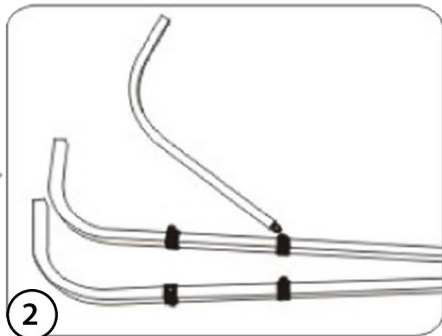


Taylor Made Manual Bimini Quick Installation Guide

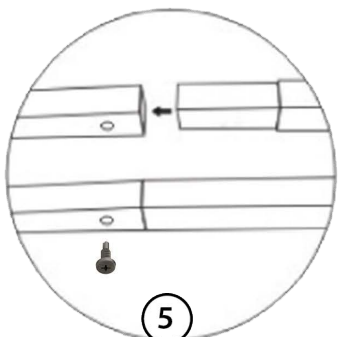
By LIPPERT



1. Take out full set bimini parts from box.



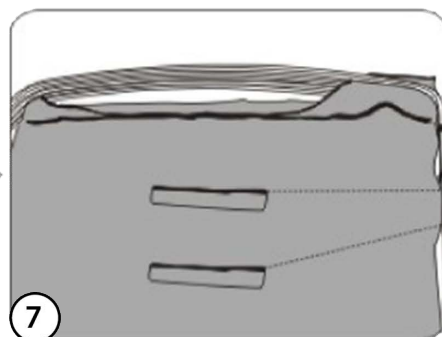
2,3 & 4. Assemble all short bows.



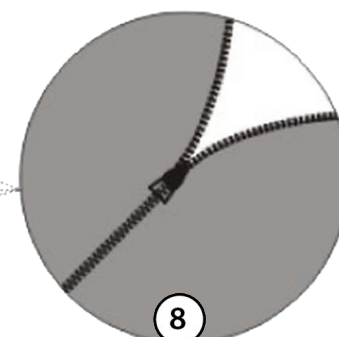
5. Align pre-marked holes and secure bows and arms with provided self-tapping screws.



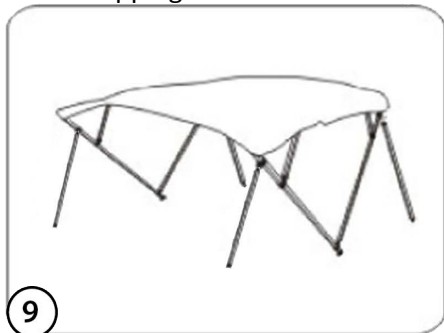
6. Snap the frame into the crossbars via the connectors.



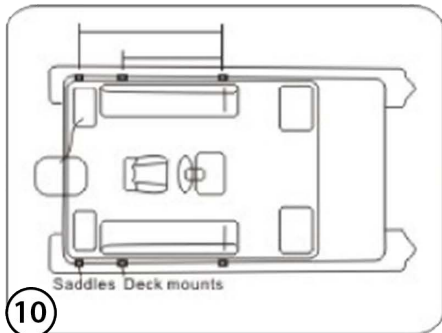
7. Take out canopy and put it on frame.



8. Zipper pocket design.



9. Place H-Brackets to desired location for bimini arms and install to fencing with provided screws.



10, 11, 12. Use provided hardware to finish connecting bimini struts to H-Brackets on railing.

